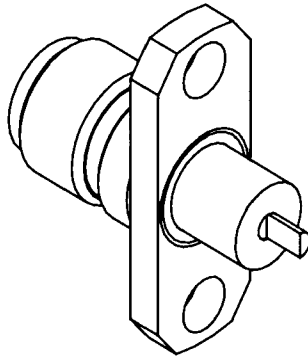
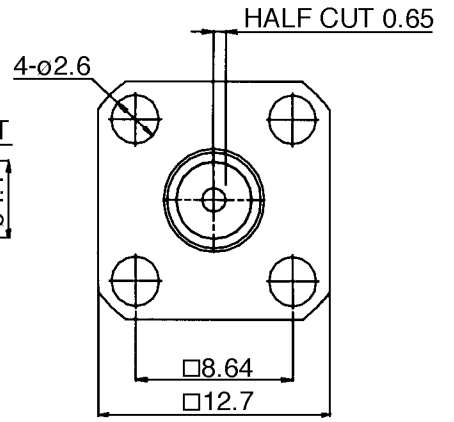
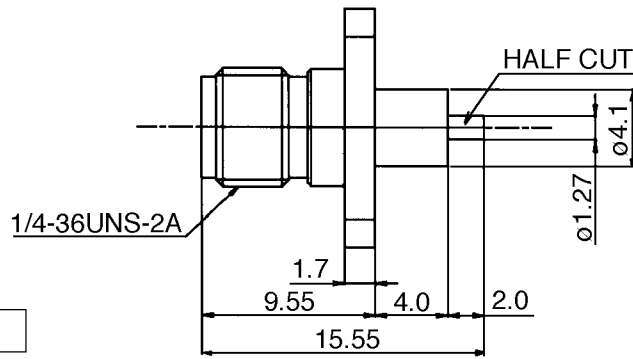
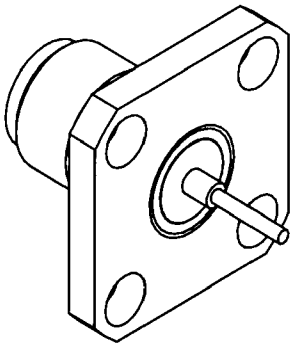
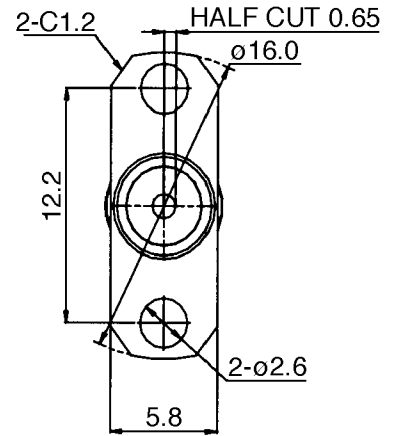
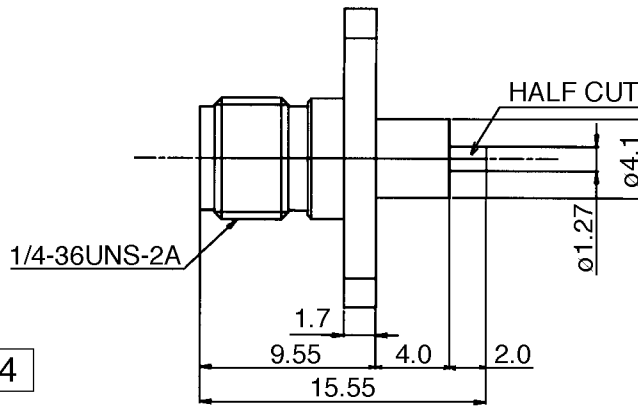


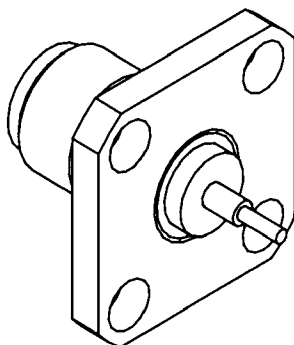
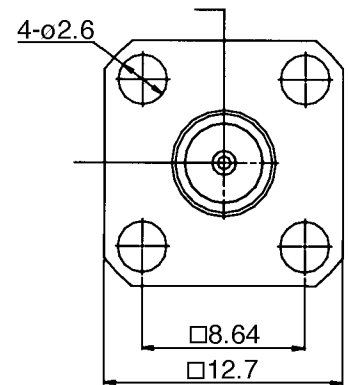
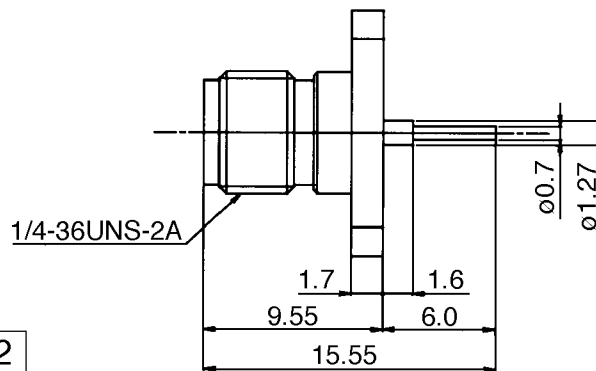
RTM-SMAJ-TR13



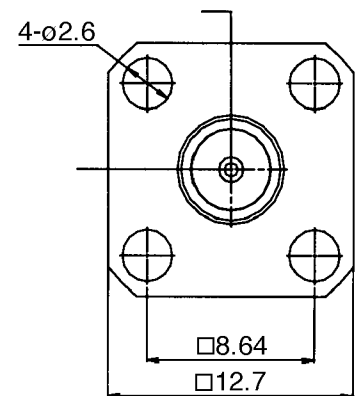
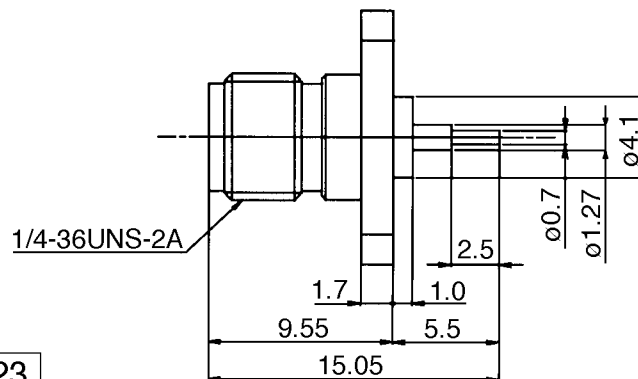
RTM-SMAJ-TRC14



RTM-SMAJ-MTR22



RTM-SMAJ-MTR23



SNAP-ON SMAJ-2