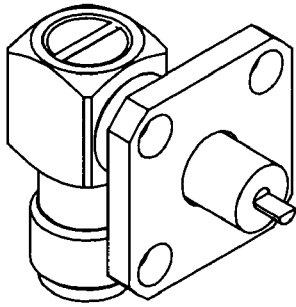
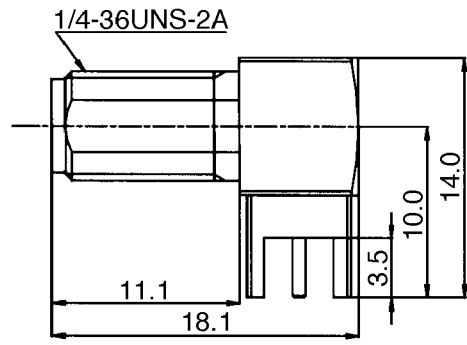
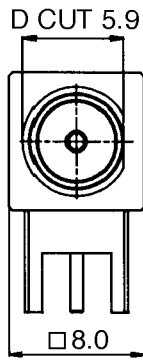
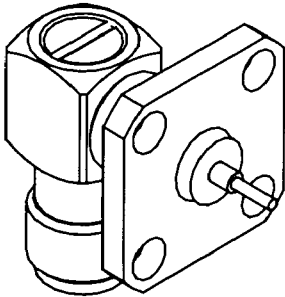
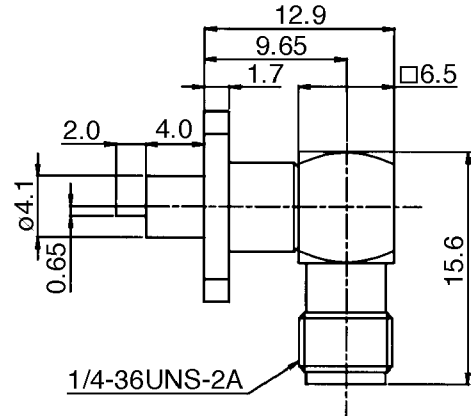
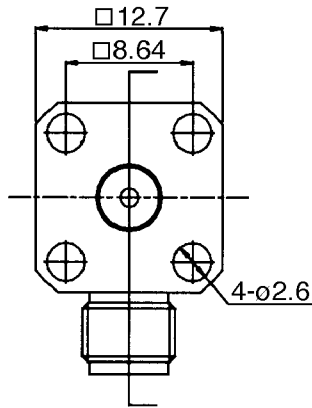


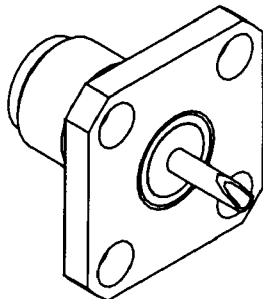
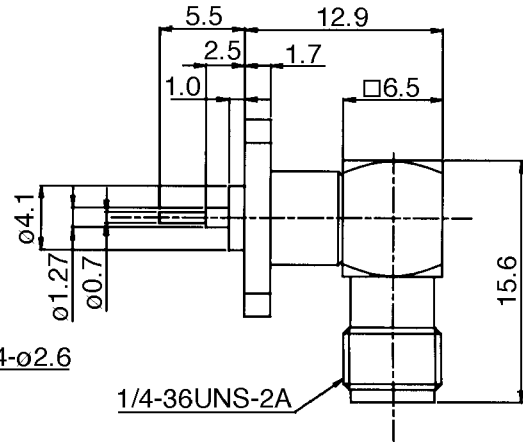
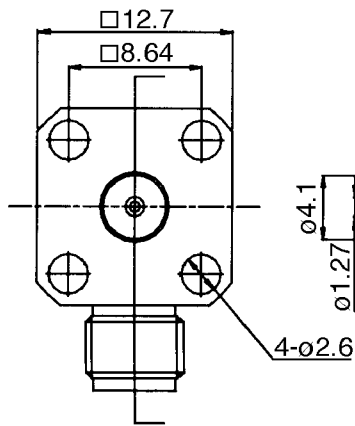
RTM-SMAJ-LR-PCB07



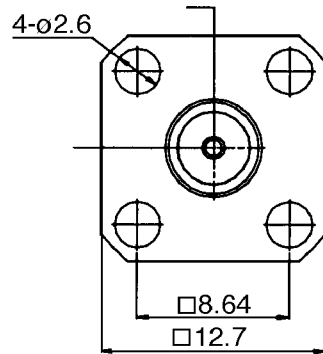
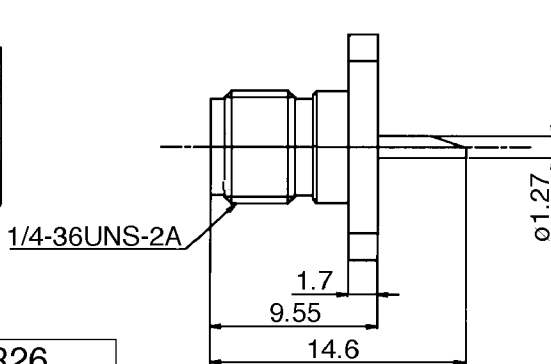
RTM-SMAJ-TLR15



RTM-SMAJ-MTLR21



RTM-SMAJ-R26



PUSH ON SMAJ-3