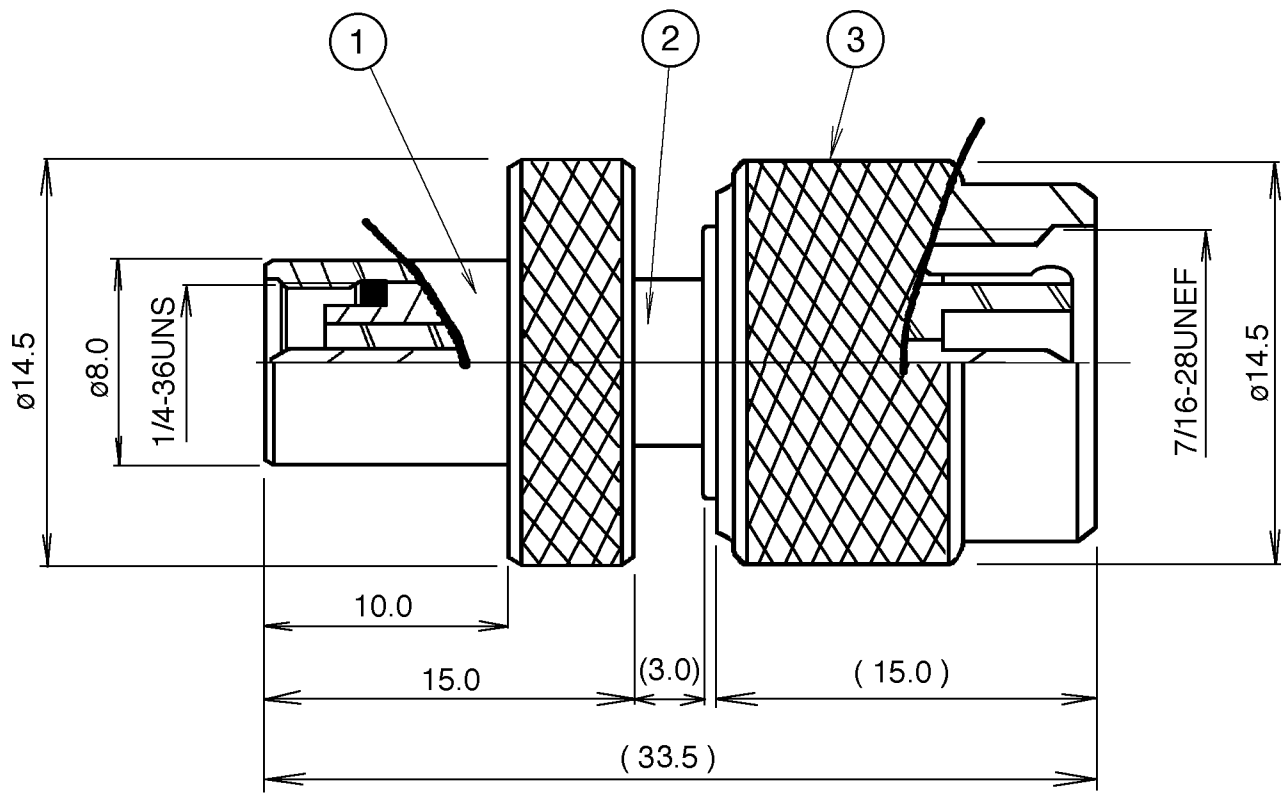


SCALE NOT IN SIZE



* SIZES ARE AFTER FINISH UNLESS OTHERWISE SPECIFIED.
 * CORNER=C0.1(MAX.) OR R0.13(MAX.) UNLESS OTHERWISE SPECIFIED.

GENERAL TOLERANCE (±)			
GROUP	12	14	16
0.5 ~ 4	0.05	0.1	0.3
~ 16	0.1	0.2	0.5
~ 63	0.15	0.3	0.7
~ 250	0.2	0.5	1.2
~ 1000	0.3	0.8	2.0
MACHINING	○		
METAL PROCESSING		○	
ASSEMBLING			○
SOLDERING			○
ANGLE	4 ~ 16	2°	
	~1000	1°	
STANDARD FINISH			
12.5S	6.3S	0.8S	
∇∇	(∇∇∇)	(∇∇∇∇)	

This drawing and contents are RF TEC Mfg., Inc. confidential and property that may not be reproduced without prior written consent.

NO.	DESCRIPTION	MATERIAL	FINISH	QTY	REMARKS	DESIGN	INSP.	STYLE	NOTE	
									PART NUMBER	DESCRIPTION
3	TNC PLUG	C3604	Ni	1		Kirii		UNIT = mm	RTM-ADP421	
2	SHELL	C3604	Ni	1		12.10.98			SMAP - TNCP	
1	SMA PLUG	C3604	Ni	1		Kirii	Kiyoshi		ADP421	
						12.10.98	12.10.98			