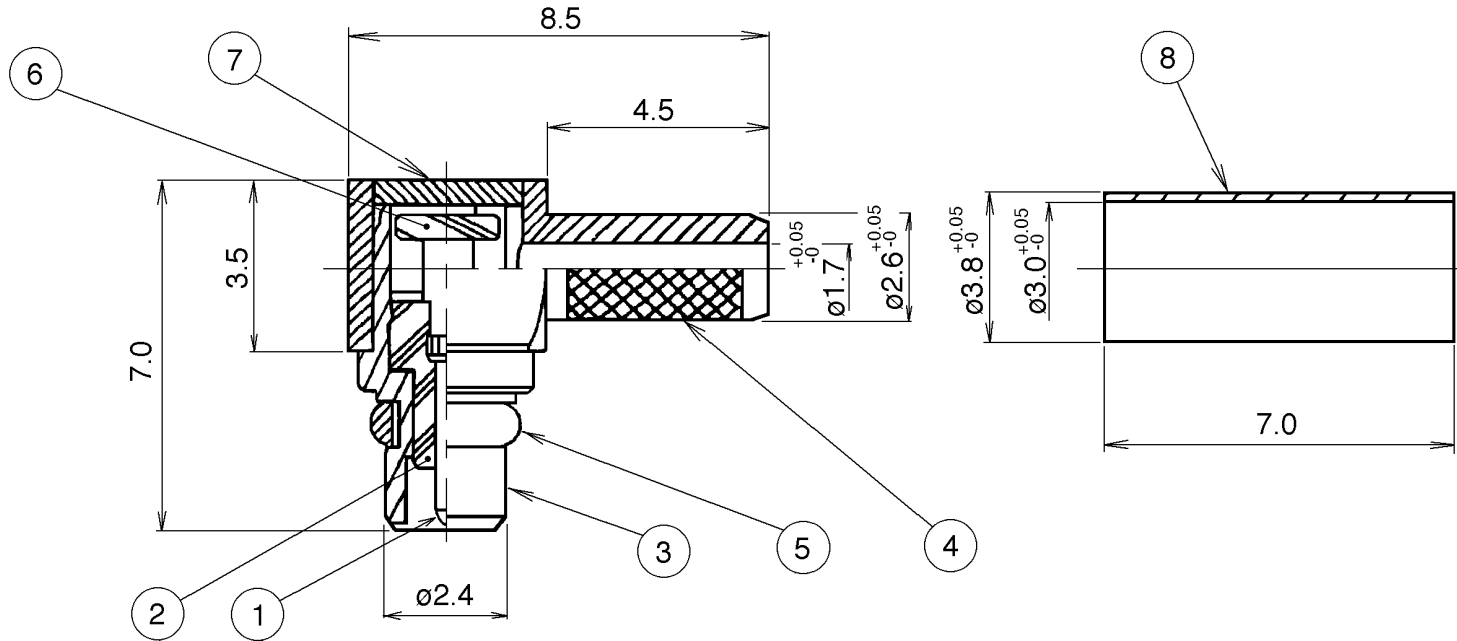


SCALE NOT IN SIZE



* SIZES ARE AFTER FINISH UNLESS OTHERWISE SPECIFIED.
 * CORNER=C0.1(MAX.) OR R0.13(MAX.) UNLESS OTHERWISE SPECIFIED.

GENERAL TOLERANCE (±)

GROUP	12	14	16
0.5 ~ 4	0.05	0.1	0.3
~ 16	0.1	0.2	0.5
~ 63	0.15	0.3	0.7
~ 250	0.2	0.5	1.2
~ 1000	0.3	0.8	2.0
MACHINING	○		
METAL PROCESSING		○	
ASSEMBLING			○
SOLDERING			○
ANGLE	4 ~ 16	2°	
	~1000	1°	
STANDARD FINISH			
12.5S	6.3S	0.8S	
▽▽	(▽▽▽)	(▽▽▽▽)	

8	PIPE	BRASS	Au	1	
7	LID	BRASS	Au	1	
6	DIELECTRIC	TEFLON		1	
5	C RING	BERYLLIUM	Au	1	
4	SHELL (B)	BRASS	Au	1	
3	SHELL (A)	BRASS	Au	1	
2	DIELECTRIC	TEFLON		1	
1	CENTER CONTACT	BERYLLIUM	Au	1	
NO.	DESCRIPTION	MATERIAL	FINISH	QTY	REMARKS

This drawing and contents are Lynix International confidential and property that may not be reproduced without prior written consent.

△	M.D.Y.	NOTE		
DESIGN	INSP.	STYLE	PART NUMBER	RTM-MMCX391B
Kirii				
10 .07.98		UNIT = mm	DESCRIPTION	MMCX-LP-316
DRAWN	TRACE		DRAWING NO.	MMCX391B
Kirii	Kiyoshi			
10 .07.98	10 .14.98			